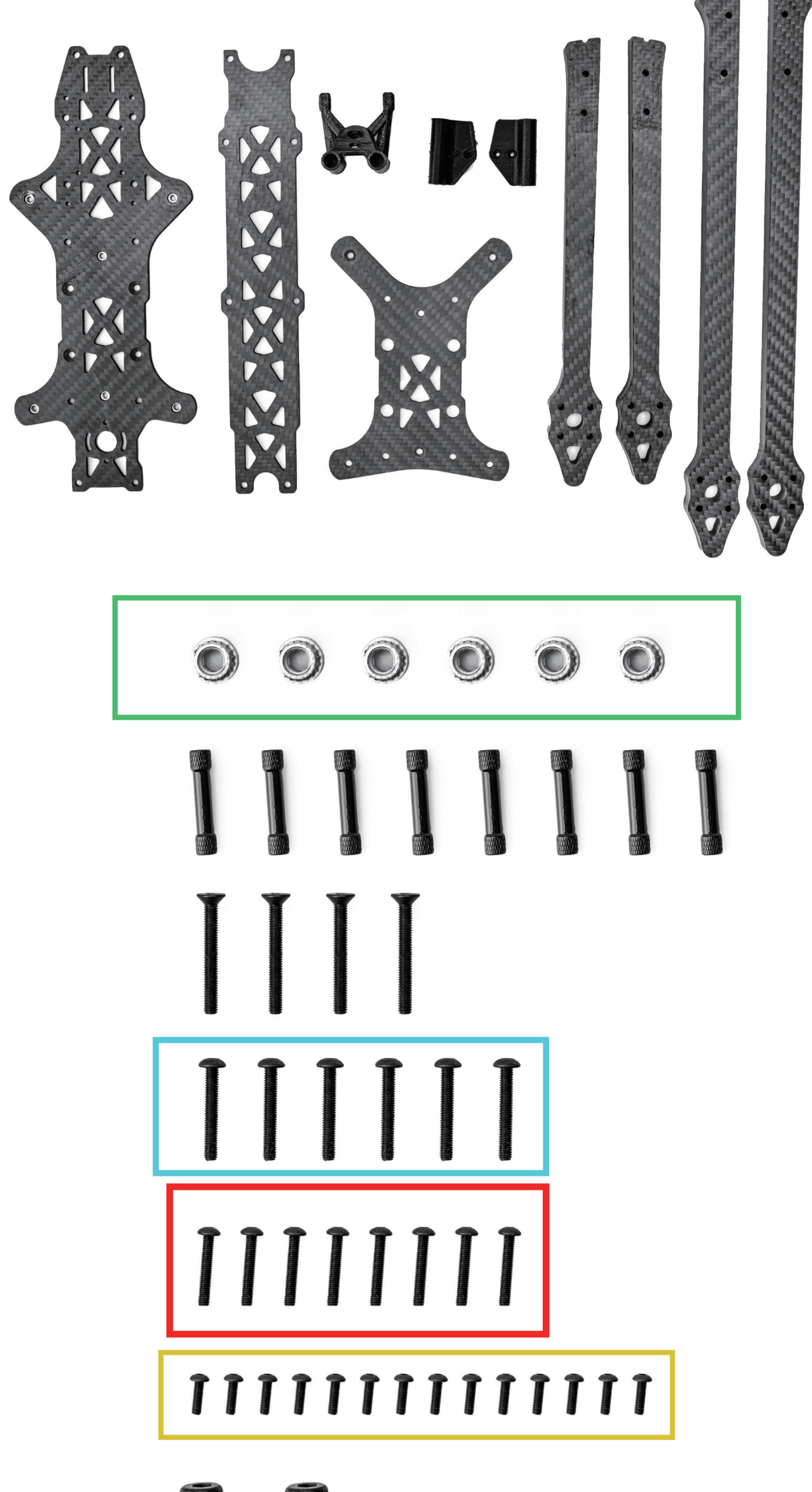
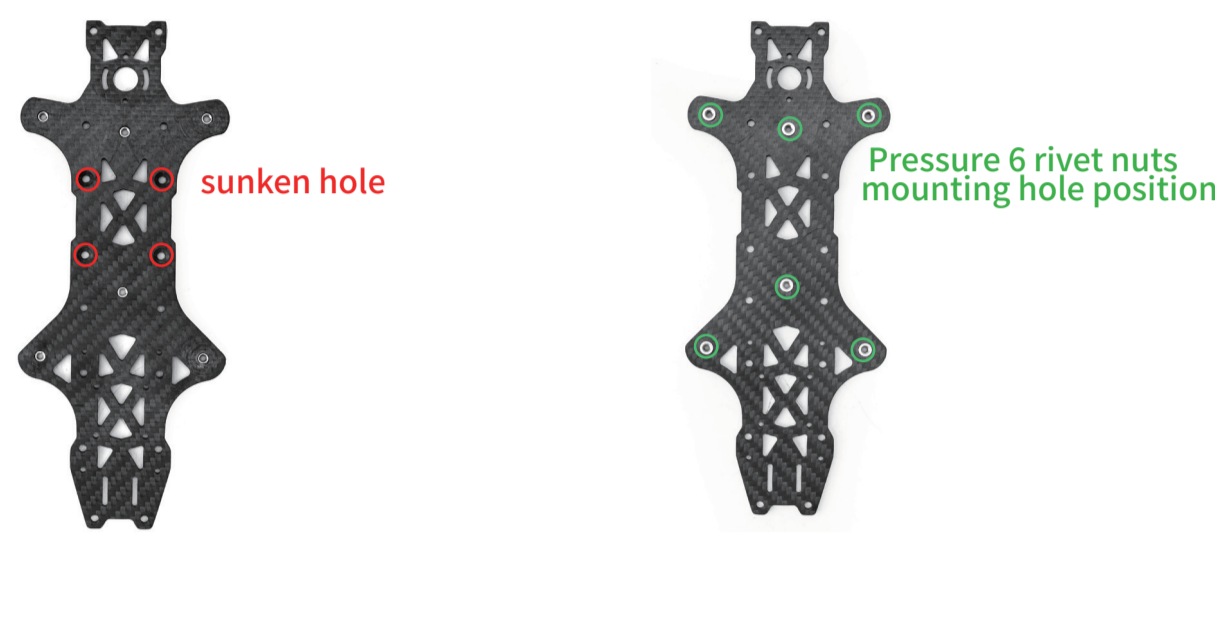


Rocky 10 Frame Installation Manual

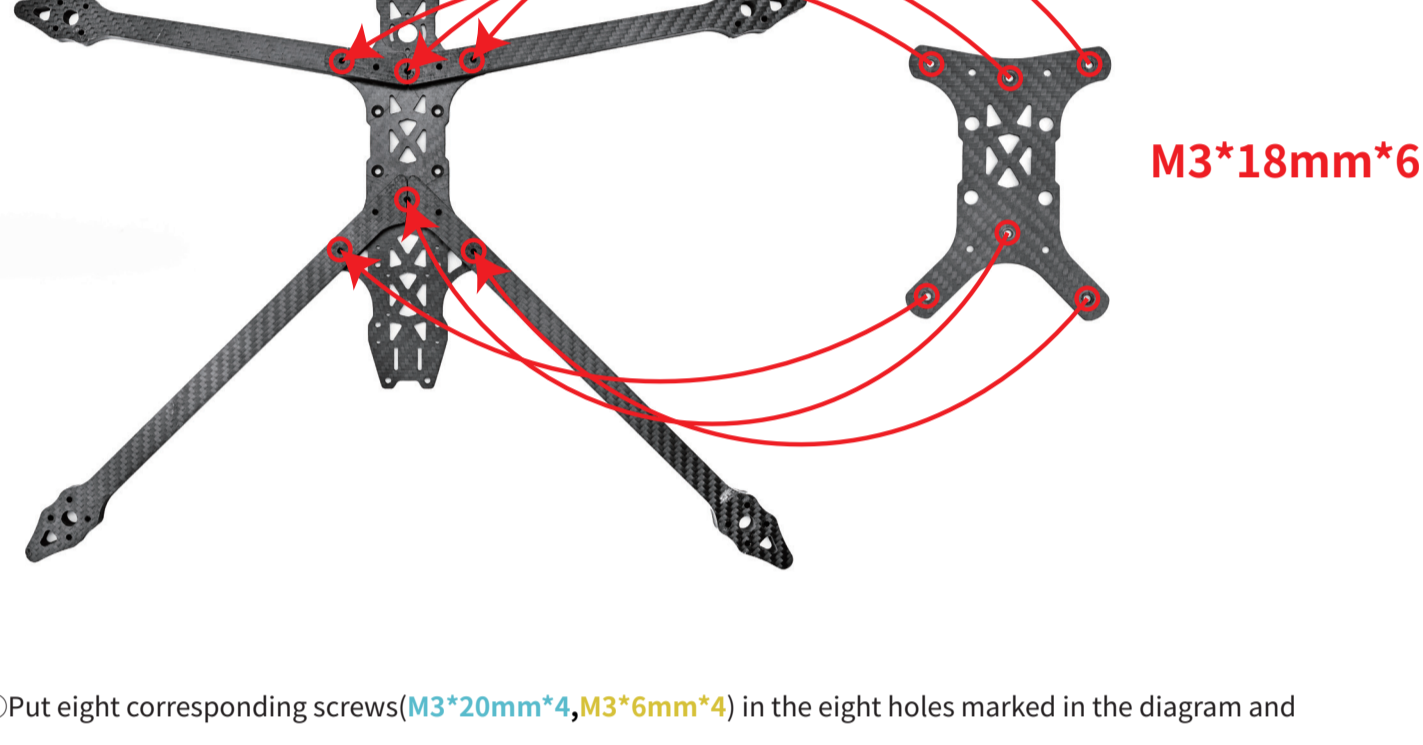
Product List



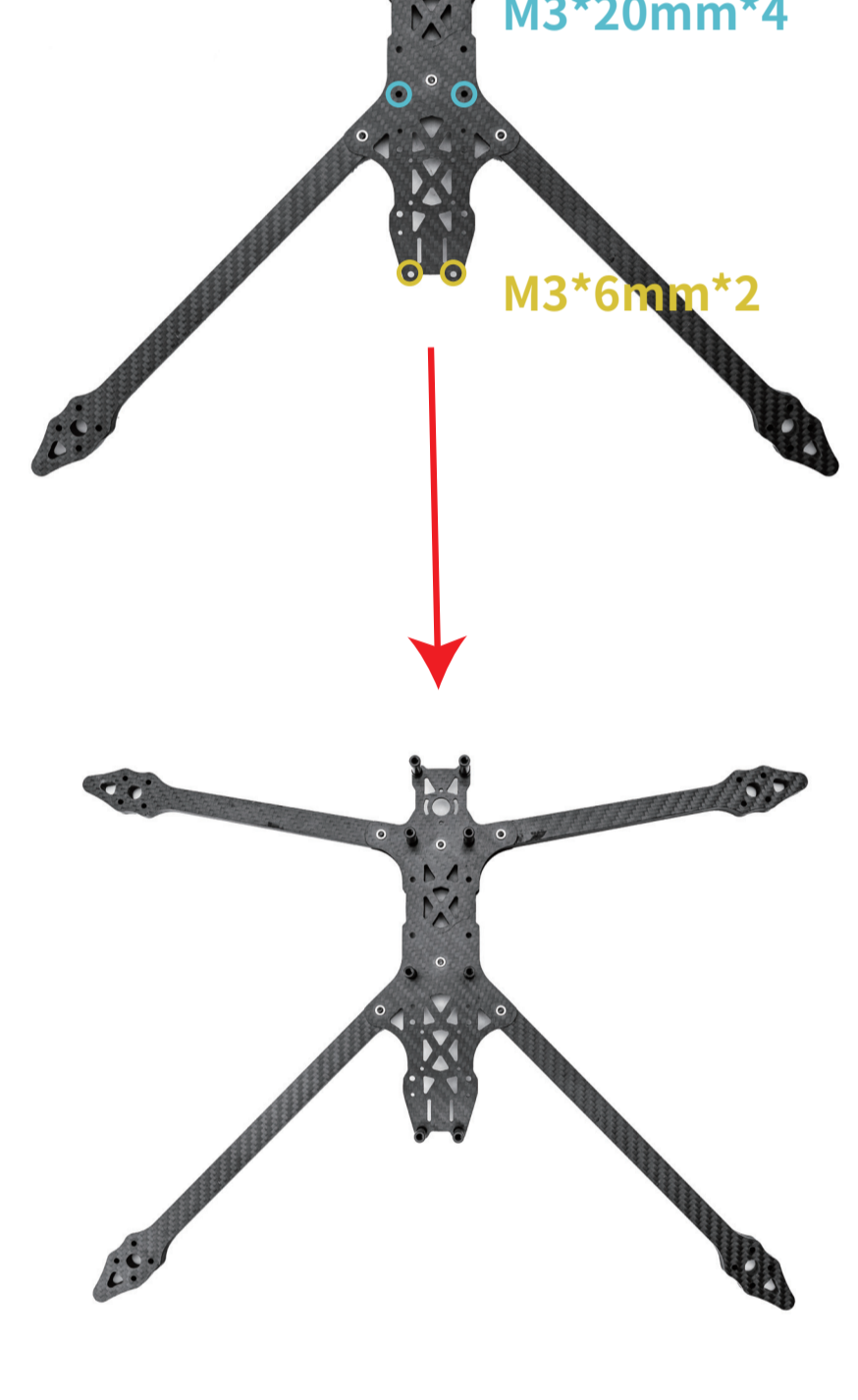
① Take out the main plate and Press the six rivet nuts into the main plate. (On the backside of main plate without countersunk holes)



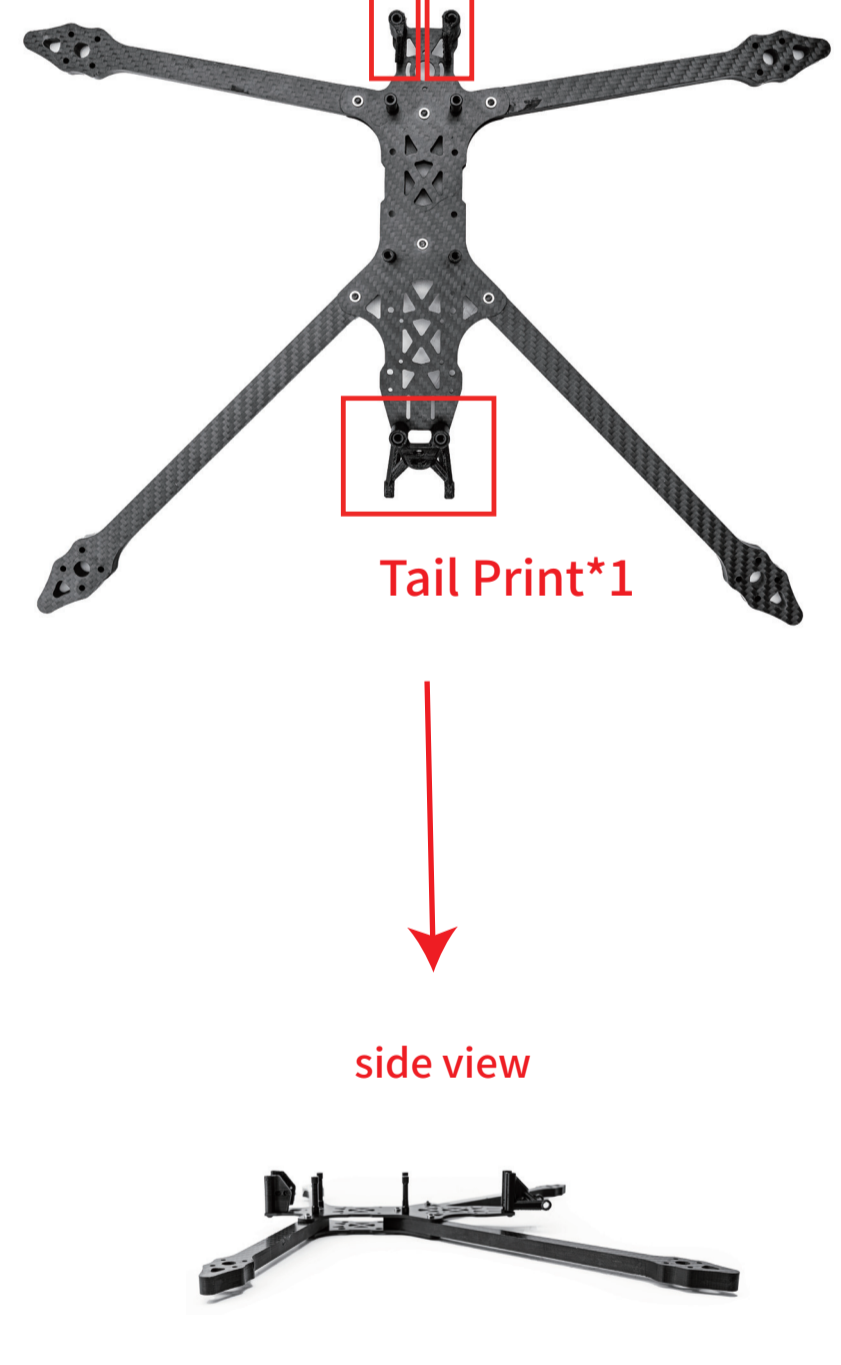
② Place the main plate with the countersunk holes side up and position the four arms according to the schematics. The bottom plate is then driven with six screws (Round head screws M3*18mm*6) as shown in the diagram



③ Put eight corresponding screws (M3*20mm*4, M3*6mm*4) in the eight holes marked in the diagram and screw on the aluminum columns.



④ Attach the two lens prints and one tail print to the aluminum post as shown. screw on the aluminum columns.



⑤ Attach the upper plate to the aluminum post and drive 8 screws (M3*6mm*8) in the corresponding holes.



Final Result

