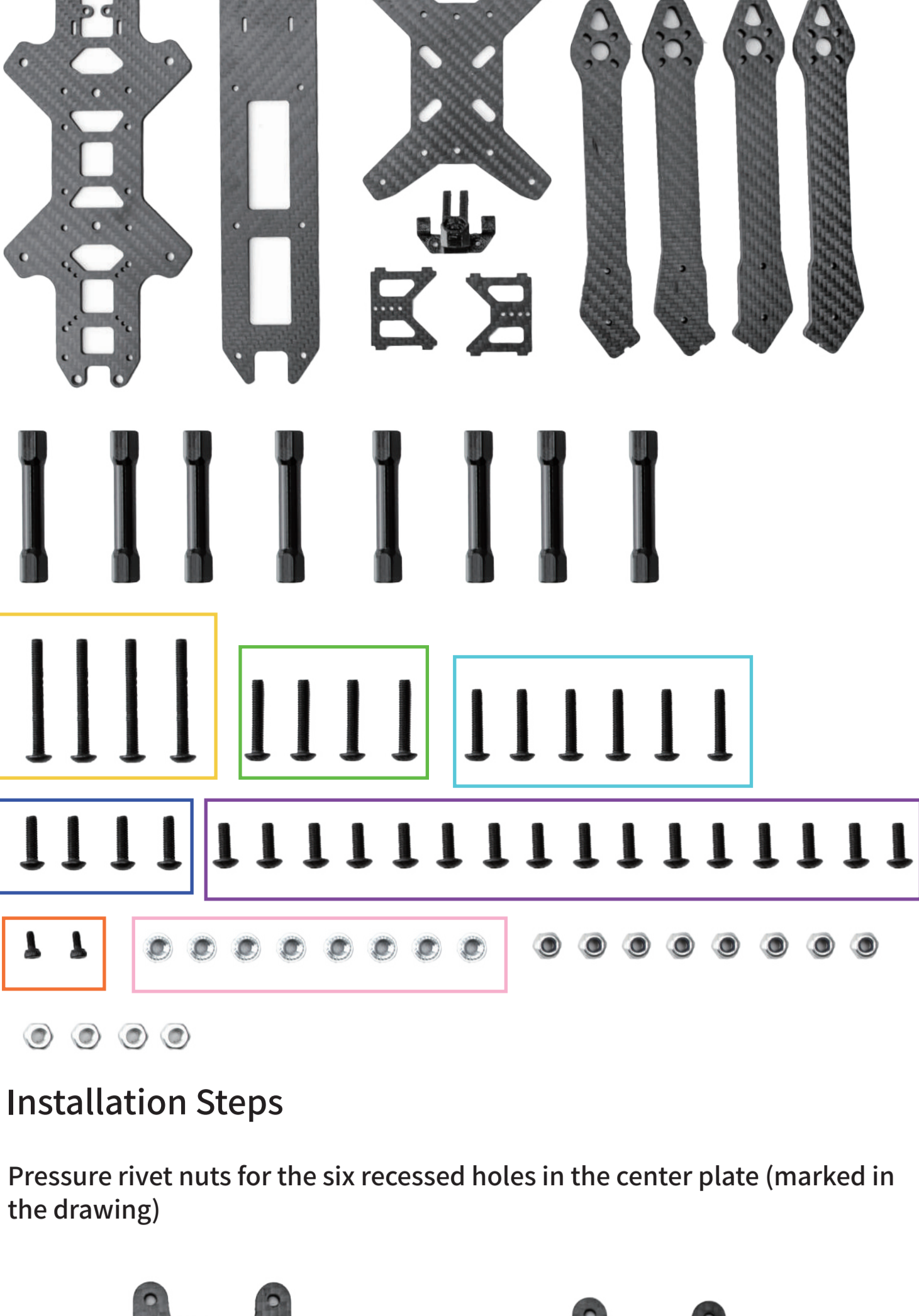


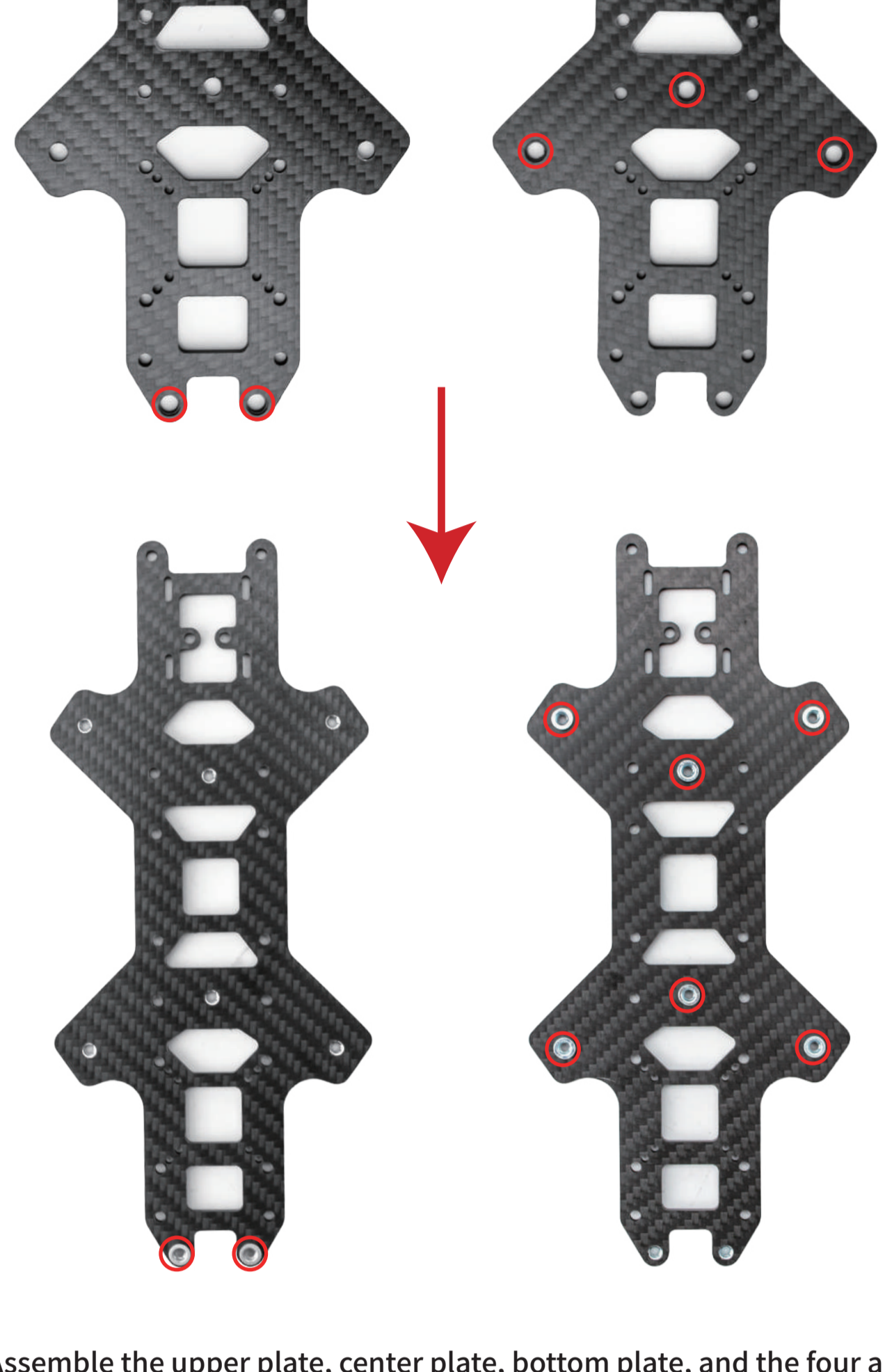
PT 7 INSTALLATION MANUAL

PACKING LIST

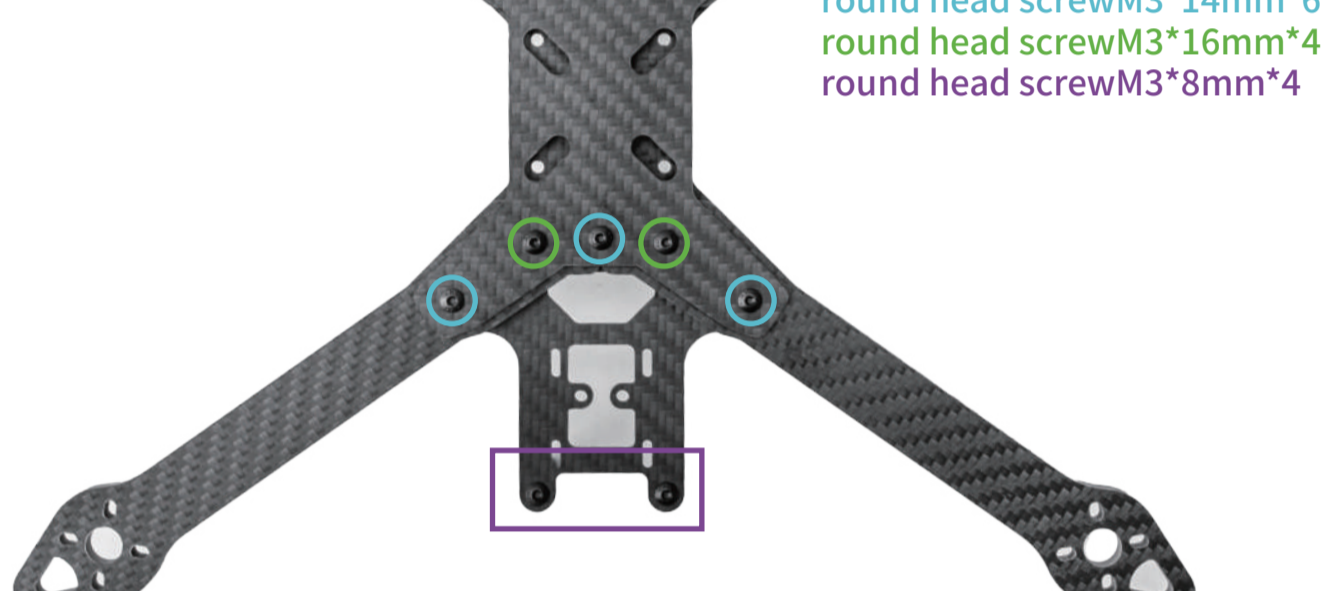


Installation Steps

Pressure rivet nuts for the six recessed holes in the center plate (marked in the drawing)



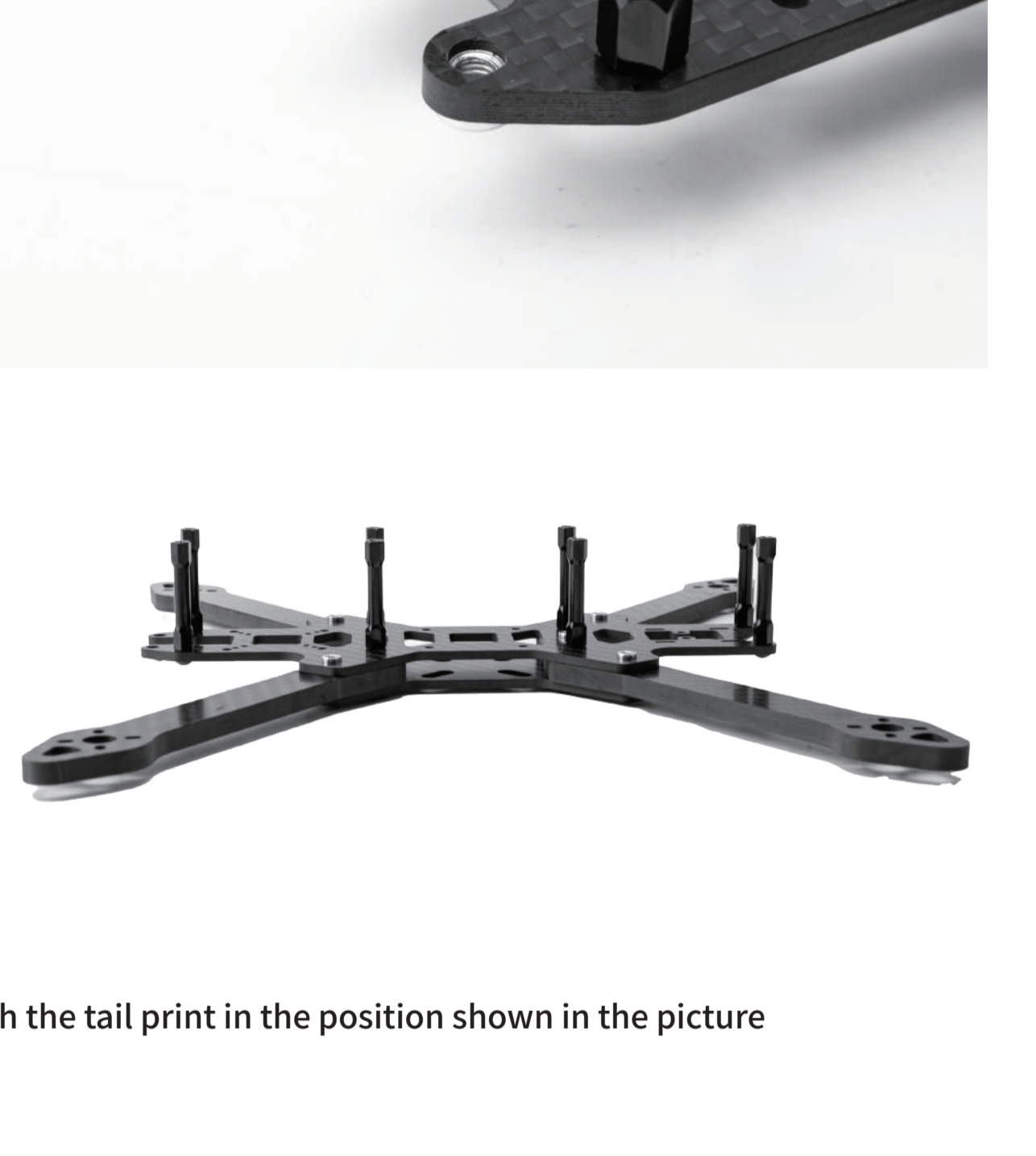
Assemble the upper plate, center plate, bottom plate, and the four arms in the pattern shown in the photo and screw in three different types of screws. (The holes should be aligned)



Screw on the aluminum posts for the eight screws indicated in the diagram.



Attach the tail print in the position shown in the picture



Install the lens clamp plate in the marked position in the picture (the holes are aligned), then cover the top plate, hit the eight screws



Install the lens clamp plate in the marked position in the picture (the holes are aligned), then cover the top plate, hit the eight screws

