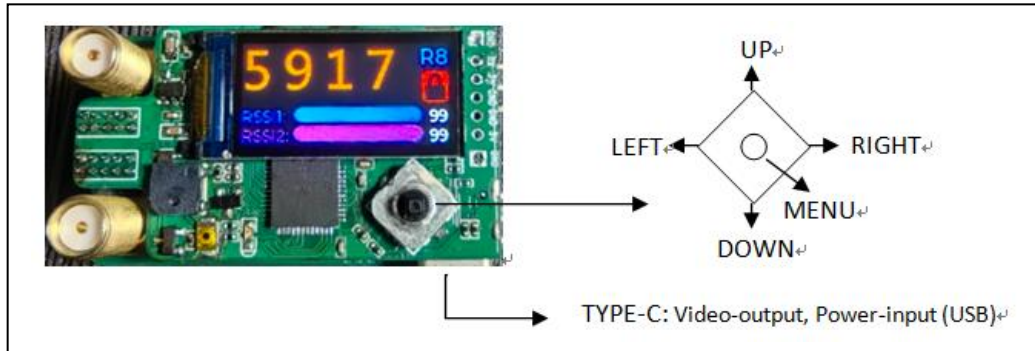


USER MANUAL

Pilotix VRX Diversity/Fused 4.9G, 5.8G, 6G

Introduction

Pilotix VRX are Fused / Diversity receivers which provide stable video



1. Main Menu

1.1 Long press the MENU button into Mode switching :



Mode 1 :

Power on, it will enter mode 1, The yellow locked image ICON indicates the settings can be viewed only. If you want to modify the frequency, please long press the MENU button to switch to mode 2 or mode 3.

Mode 2 :

You can manually select the desired frequency from 12 groups: F,R,E,B,A ,L,J,X,U,I,K and Z or select SCAN function in menu to start auto search.

96 channels:

Left and right buttons adjust channels from 1 to 8, and up and down buttons adjust bands from F to Z.

Long press the MENU button to switch to mode 1.

Mode 3 :

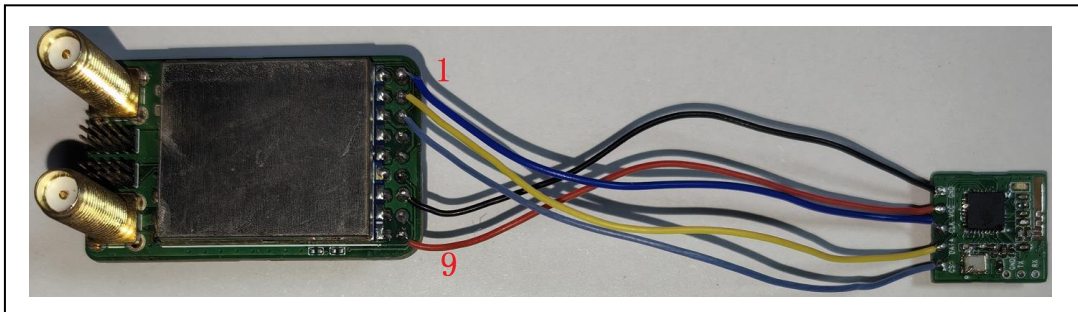
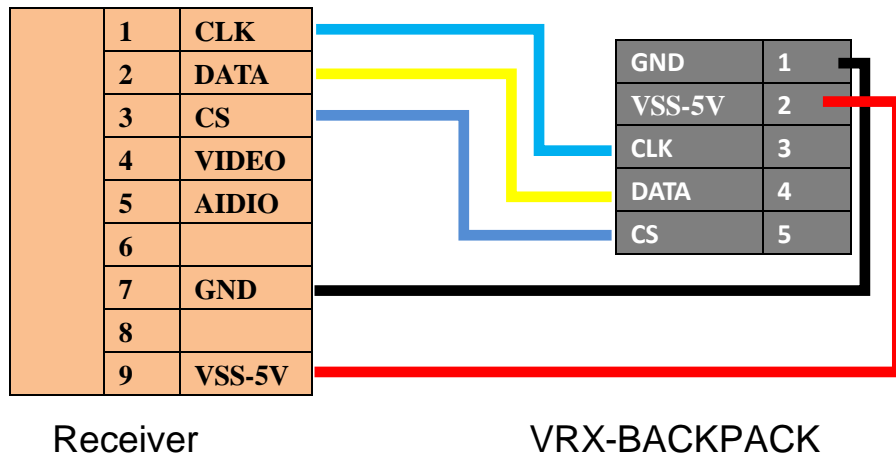
Enter frequency input mode. Users can input any frequency from 4867 to 6184.

Move the frequency cursor with the left and right buttons, set the frequency with the up and down buttons, and press "MENU" to confirm.

1.2 Short press the MENU key to enter the menu settings

Menu items	Menu Content	Key operation
	<input type="button" value="show with Chart"/> <input type="button" value="show with Table"/> <input type="button" value="RSSI Calibration"/>	Press' MENU 'to enter, Press the "LEFT" button to exit (Note: Enter the " RSSI Calibration " Hold menu button until it enter)
	<input type="button" value="BackLight"/> <input type="button" value="Beep"/> <input type="button" value="Language"/> <input type="button" value="Signal"/> <input type="button" value="Save&Exit"/>	Press' MENU 'to enter, Use " Save&Exit " to exit
	<input type="button" value="Version Content"/>	Press' MENU 'to enter, Press the "LEFT" button to exit

2. Backpack



Backpack Bind procedure:

1. Power on the backpack 3 times, the LED light will be double-flashing, which means that the RX is in the binding mode
2. Enter into ELRS and press [Bind], the LED on the RX module will get to be solid if binding successfully.
3. Receiver LED status meanings:
 - LED solid means bind successful or Connection established;
 - LED double-flash means in bind mode;
 - LED flash slowly means no signal connection from the TX module;
 - LED flash fast means in WIFI hotspot mode, you can connect the WIFI of the RX and upgrade firmware of the RX via Wifi.