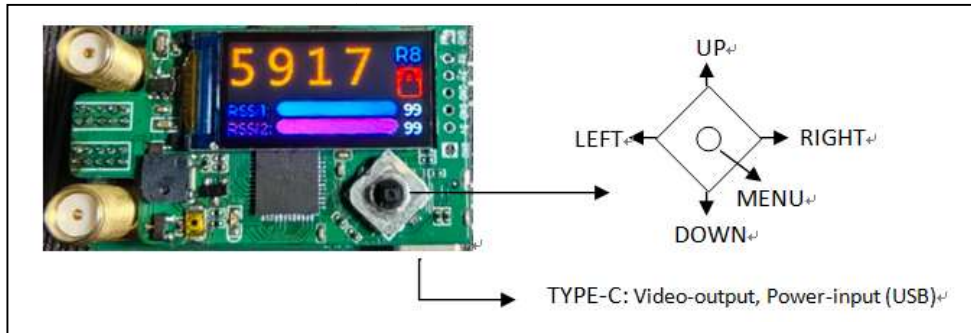


USSER MANUAL

Pilotix receivers 4.9G, 5.8G, 6GHz

Introduction

Pilotix Receiver is a Fuse / Diversity receivers which provides stable video



1. Main Menu

1.1 Long press the MENU button into Mode switching:



Mode 1:

Power on, it will enter mode 1, The yellow locked image ICON indicates the settings can be viewed only. If you want to modify the frequency, please long press the MENU button to switch to mode 2 or mode 3.

Mode 2:

You can manually select the desired frequency from 12 groups: A,B,E,F,R,L,J,X,U,I,K and Z or select SCAN function in menu to start auto search.

96 channels:

	A	B	E	F	R	L	J	X	U	I	K	Z
1	5865	5733	5705	5740	5658	5362	4867	4990	5325	5333	5960	6002
2	5845	5752	5685	5760	5695	5399	4884	5020	5348	5373	5980	6028
3	5825	5771	5665	5780	5732	5436	4921	5050	5366	5413	6000	6054
4	5805	5790	5645	5800	5769	5473	4958	5080	5384	5453	6020	6080
5	5785	5809	5885	5820	5806	5510	4995	5110	5402	5493	6040	
6	5765	5828	5905	5840	5843	5547	5032	5140	5420	5533	6060	
7	5745	5847	5925	5860	5880	5584	5069	5170	5438	5573	6080	
8	5725	5866	5945	5880	5917	5621	5099	5200	5456	5613	6100	

Left and right buttons adjust channels from 1 to 8, and up and down buttons adjust bands from A to Z.


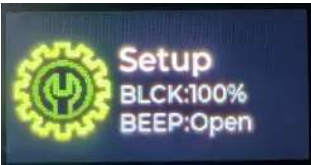

Long press the MENU button to switch to mode 1.

Mode 3:

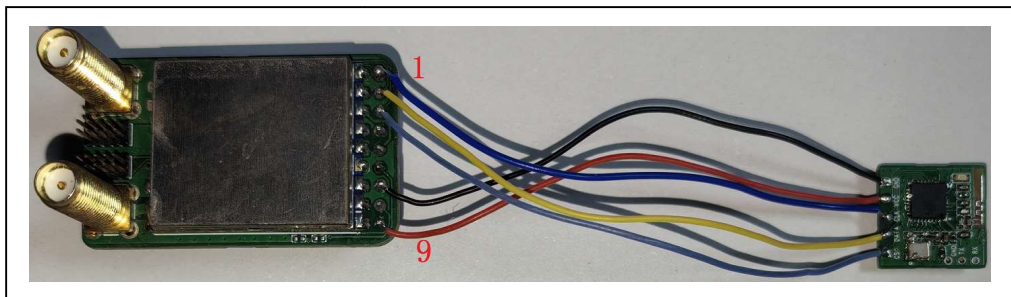
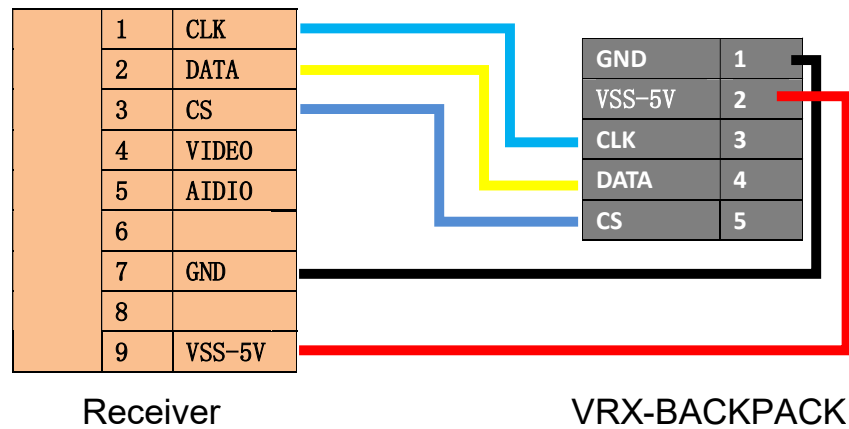
Enter frequency input mode. Users can input any frequency from 4867 to 6080.

Move the frequency cursor with the left and right buttons, set the frequency with the up and down buttons, and press "MENU" to confirm.

1.2 Short press the MENU key to enter the menu settings

Menu items	Menu Content	Key operation
	<input type="button" value="show with Chart"/> <input type="button" value="show with Table"/> <input type="button" value="RSSI Calibration"/>	Press' MENU 'to enter, Press the "LEFT" button to exit (Note: Enter the " RSSI Calibration " Hold menu button until it enter)
	<input type="button" value="BackLight"/> <input type="button" value="Beep"/> <input type="button" value="Language"/> <input type="button" value="Signal"/> <input type="button" value="Save&Exit"/>	Press' MENU 'to enter, Use " Save&Exit " to exit
	<input type="button" value="Version Content"/>	Press' MENU 'to enter, Press the "LEFT" button to exit

2. Backpack



Backpack Bind procedure:

1. Power on the backpack 3 times, the LED light will be double-flashing, which means that the RX is in the binding mode
2. Enter into ELRS and press [Bind], the LED on the RX module will get to be solid if binding successfully.
3. Receiver LED status meanings:
 - LED solid means bind successful or Connection established;
 - LED double-flash means in bind mode;
 - LED flash slowly means no signal connection from the TX module;
 - LED flash fast means in WIFI hotspot mode, you can connect the WIFI of the RX and upgrade firmware of the RX via Wifi.