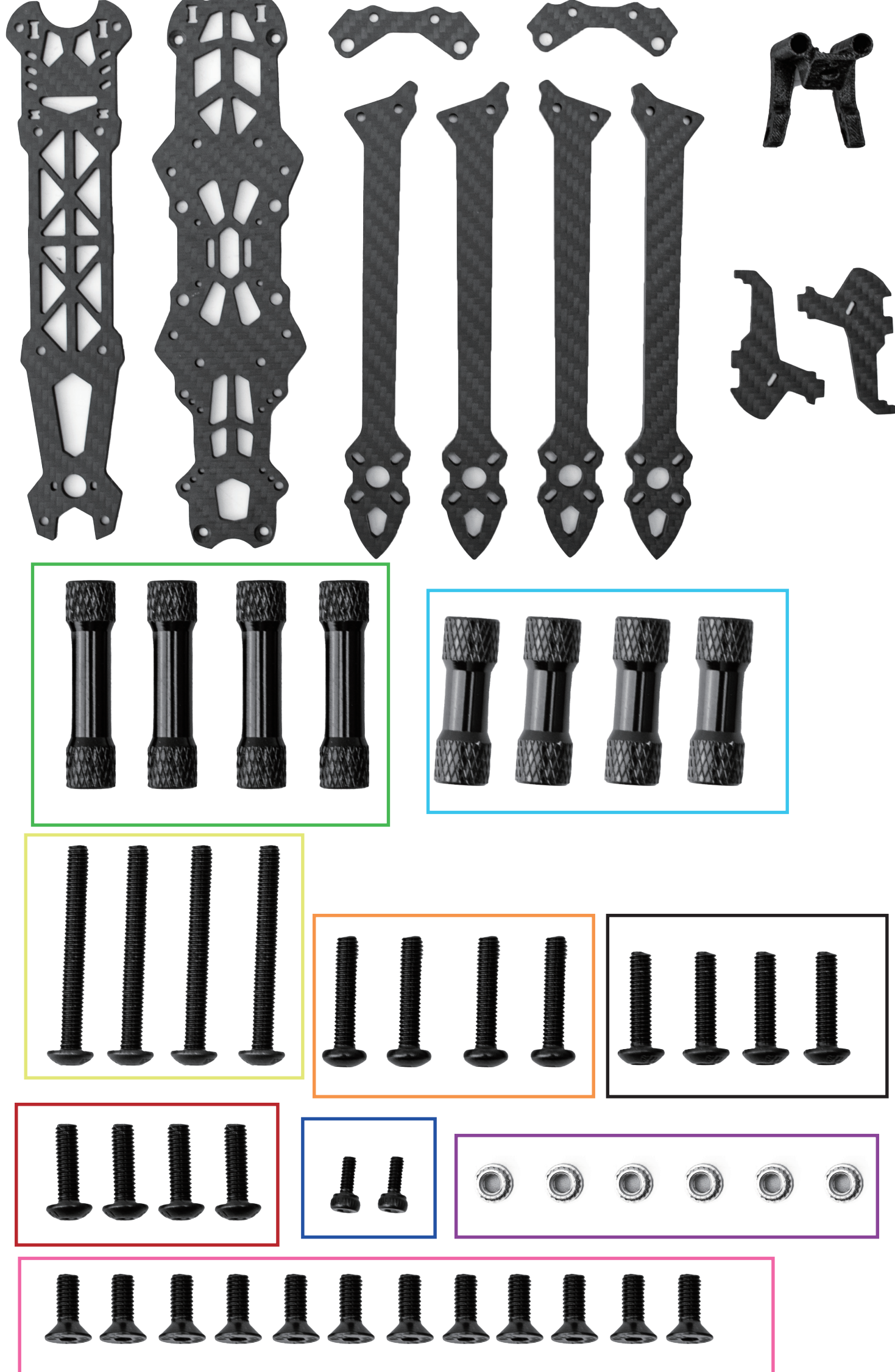


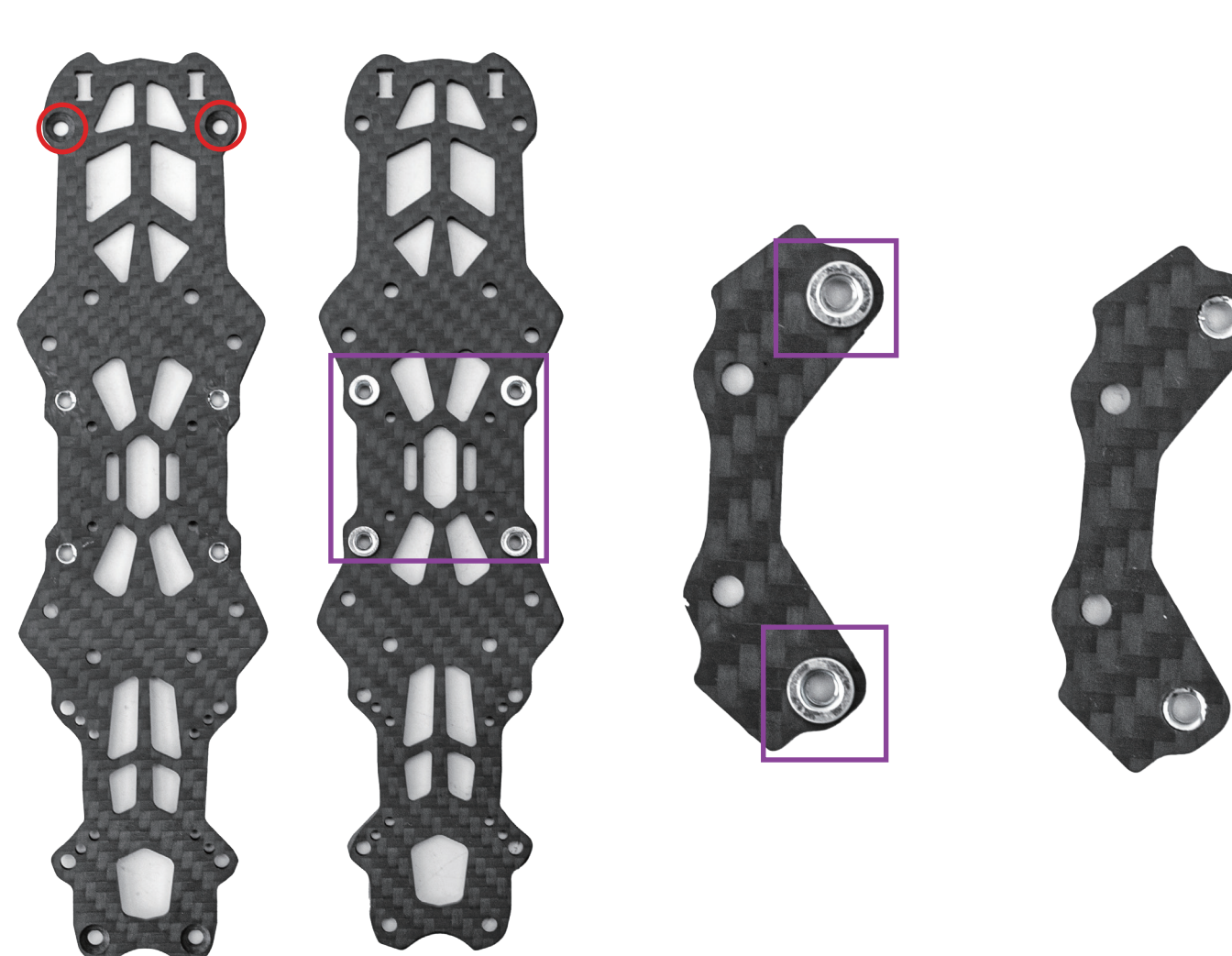
MARK 4-7 INSTALLATION MANUAL

PACKING LIST



Installation Steps

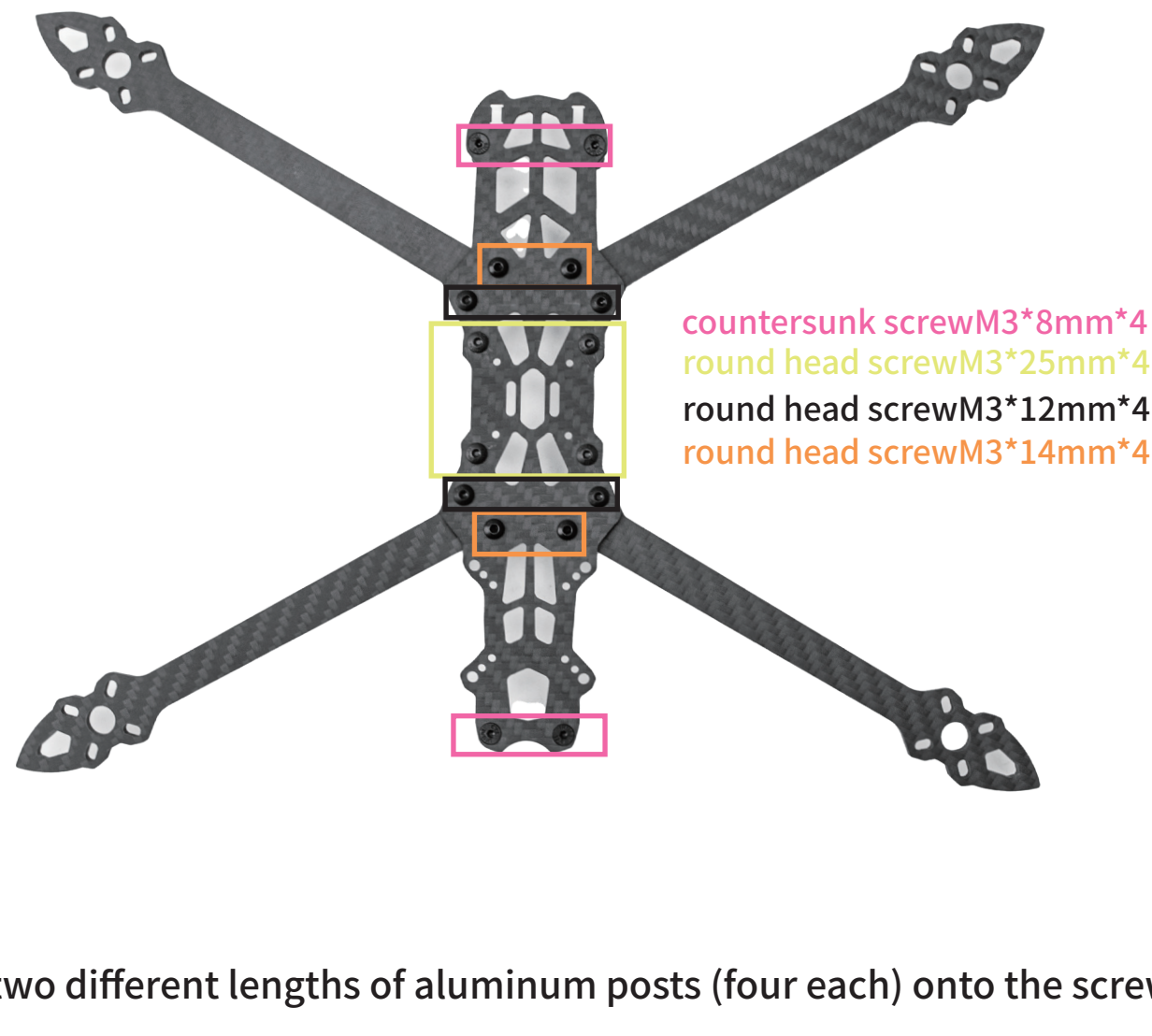
The first step is to press the rivet nuts on the side of the bottom plate that does not have a countersunk hole, then press the rivet nut on the arm cleat (No front or back) as well.



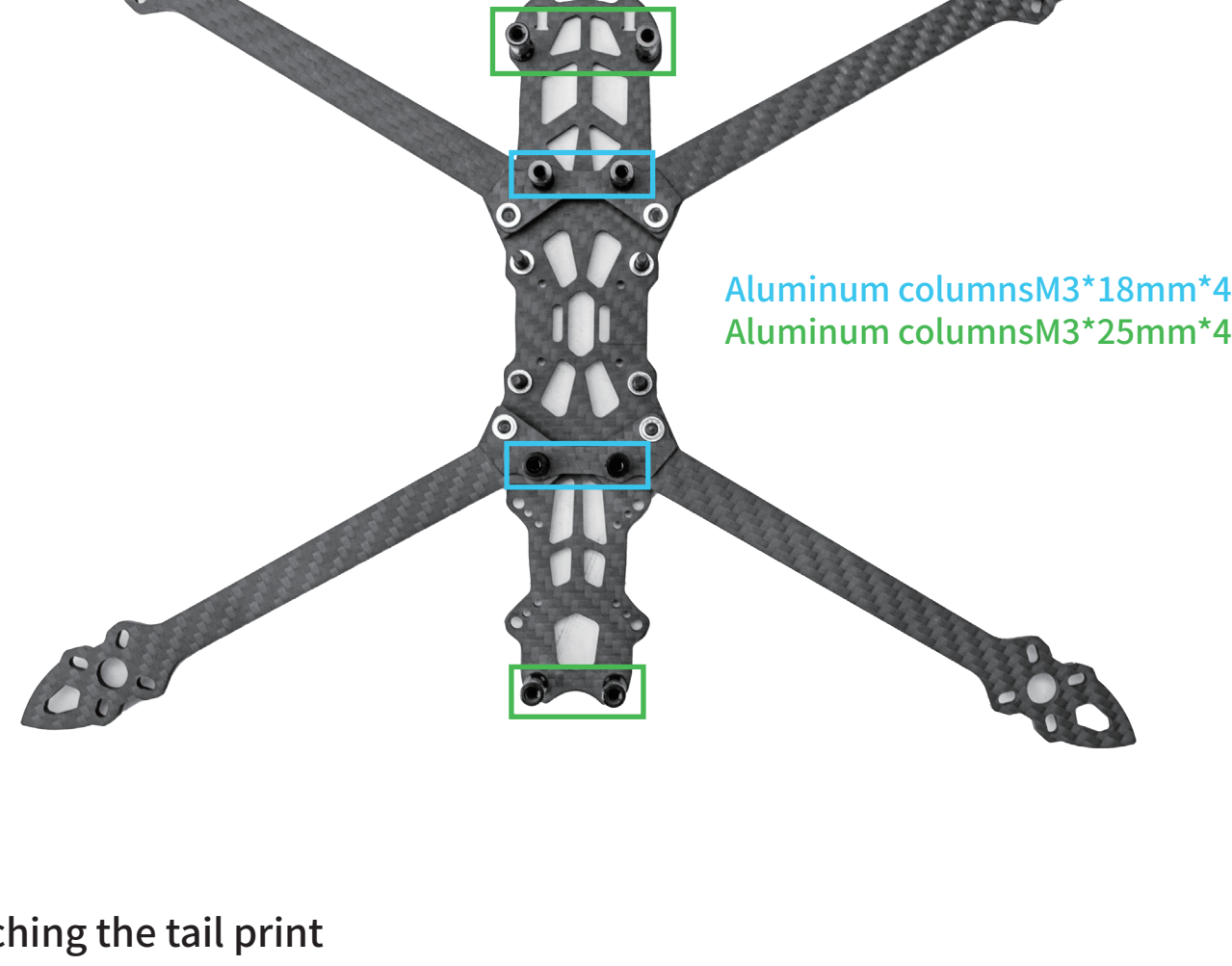
Place the four arms between the arm cleats and the bottom plate as shown in the diagram (The holes should be aligned).



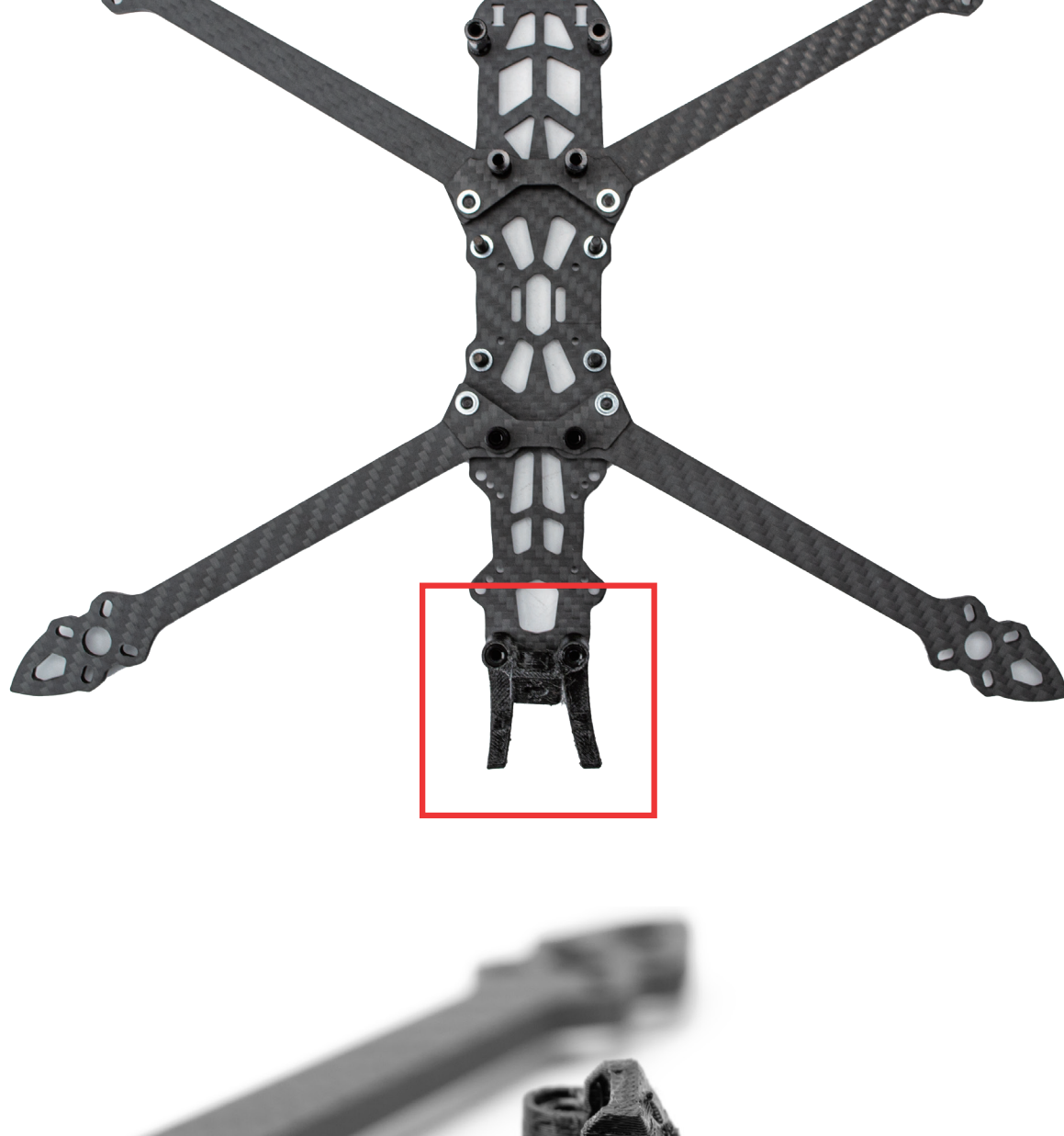
Four different types of screws as shown (bottom plate with countersunk hole side)



Screw two different lengths of aluminum posts (four each) onto the screws.



Attaching the tail print



Attach the two lens clamps and attach the cup screws to the upper plate (countersunk side up) as shown in the illustration (The holes should be aligned)

