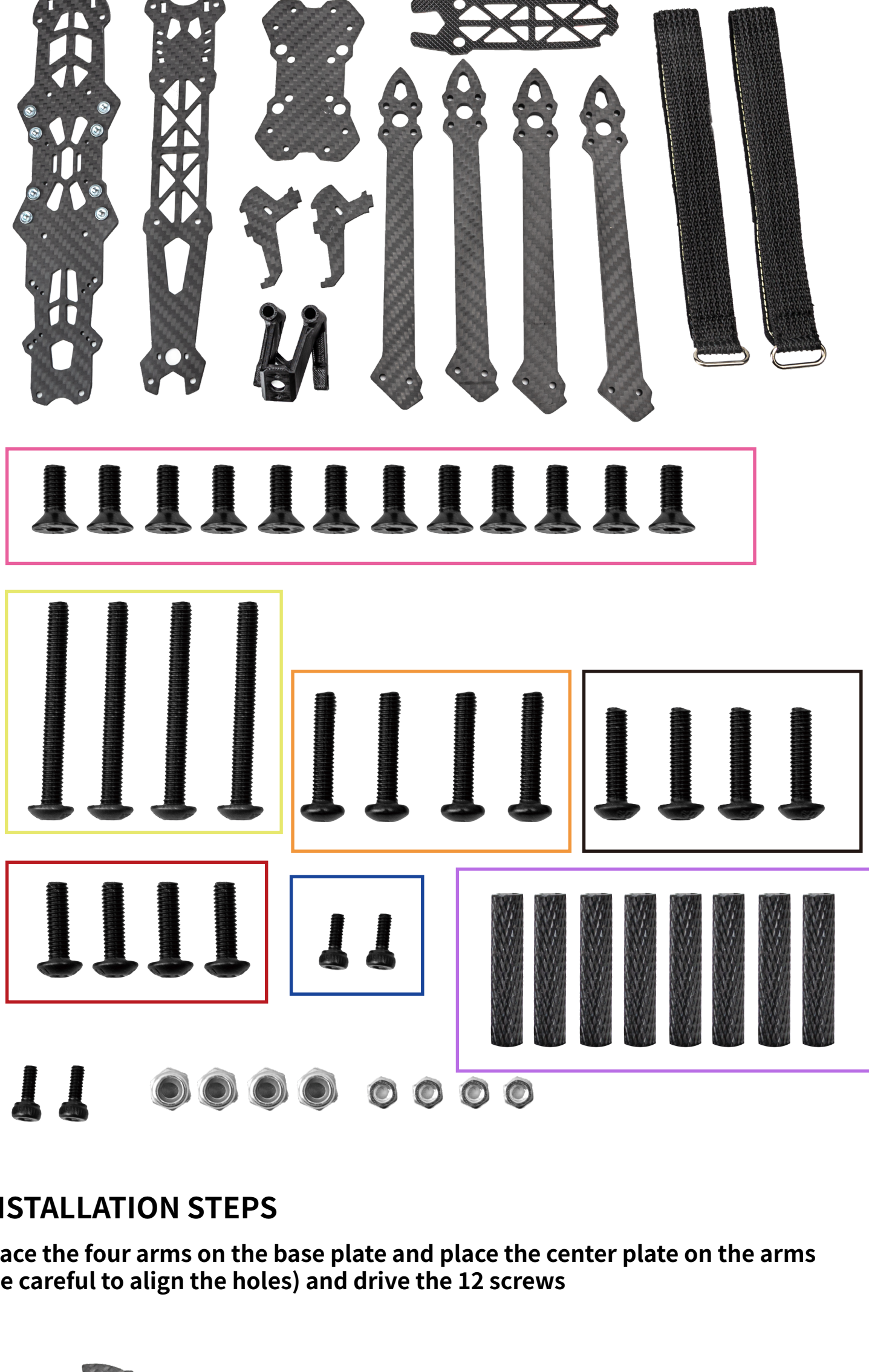


# MARK 4-7 V2 INSTALLATION MANUAL

## PACKING LIST

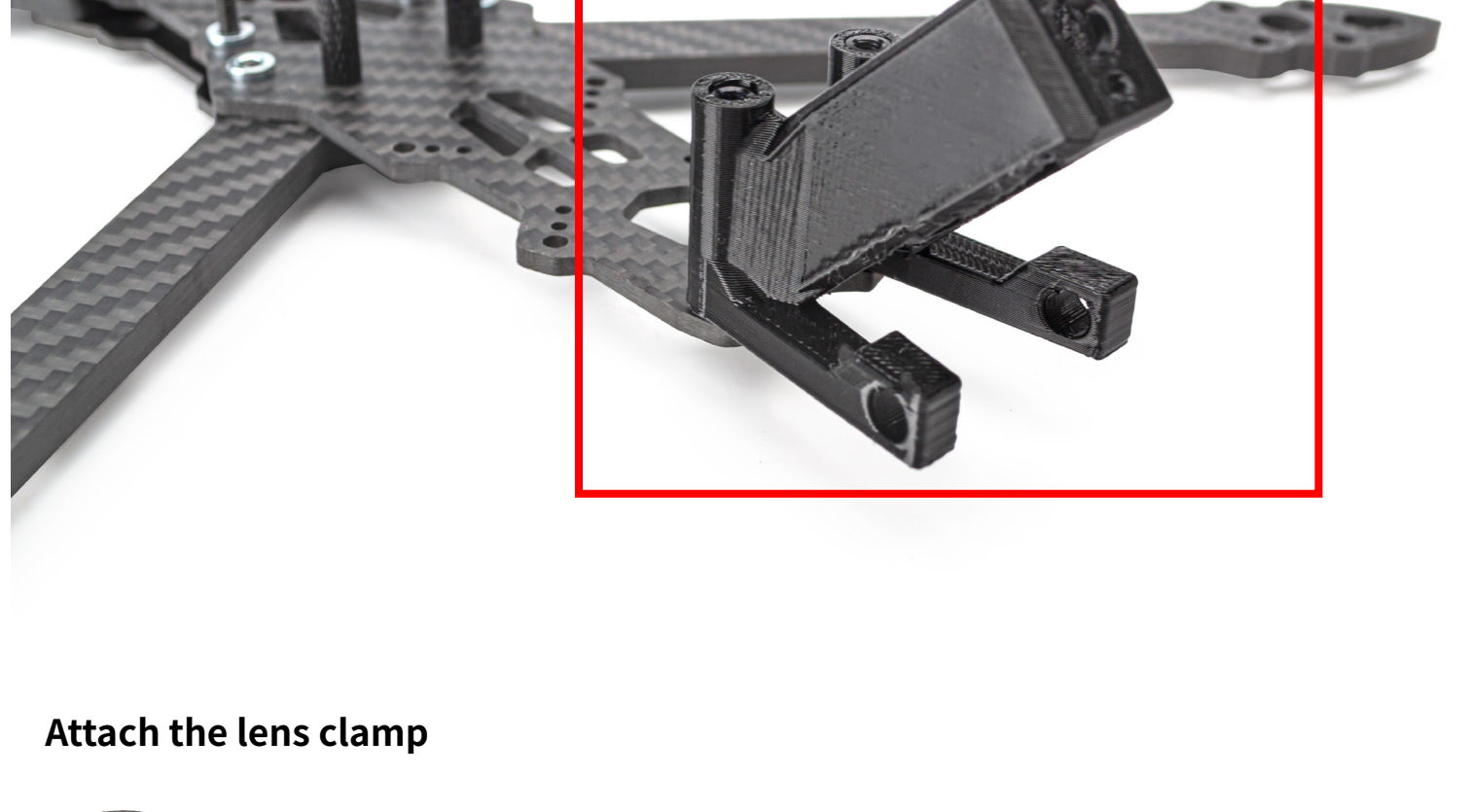


## INSTALLATION STEPS

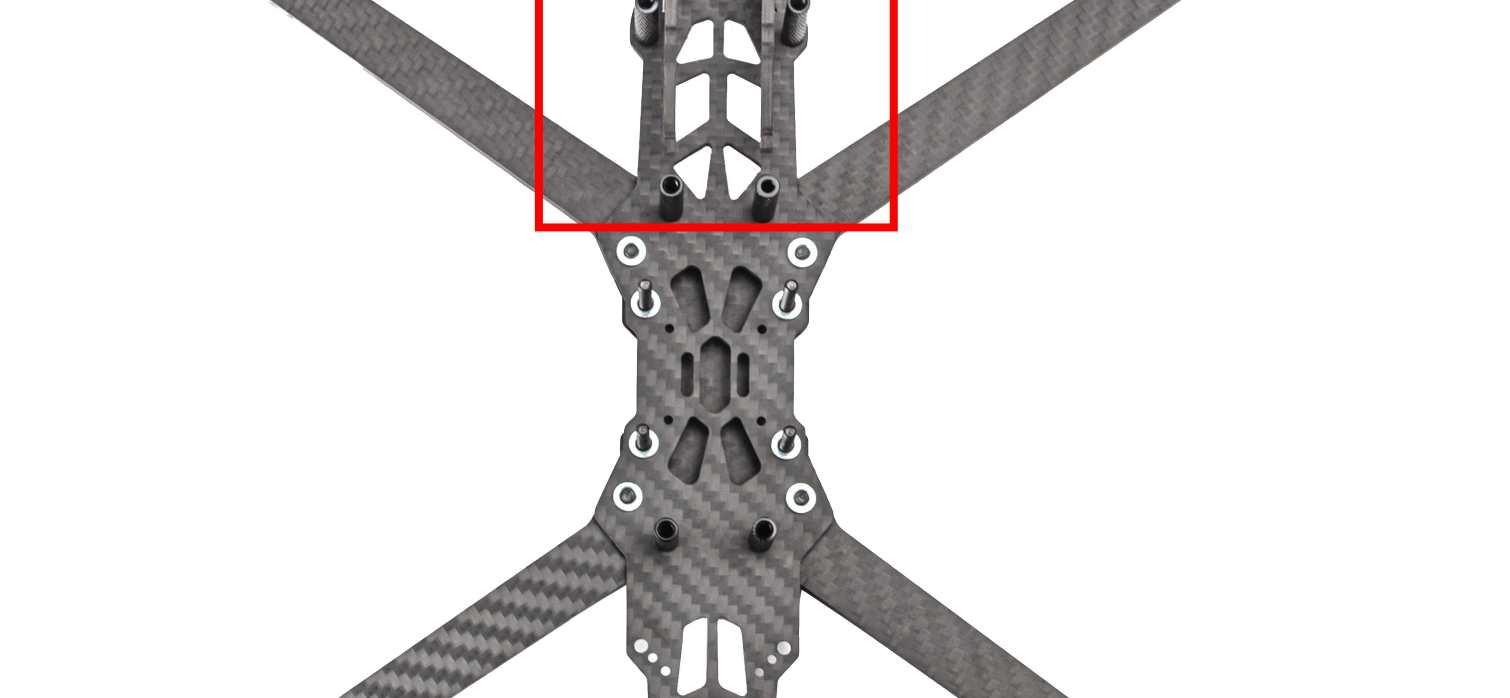
Place the four arms on the base plate and place the center plate on the arms (be careful to align the holes) and drive the 12 screws



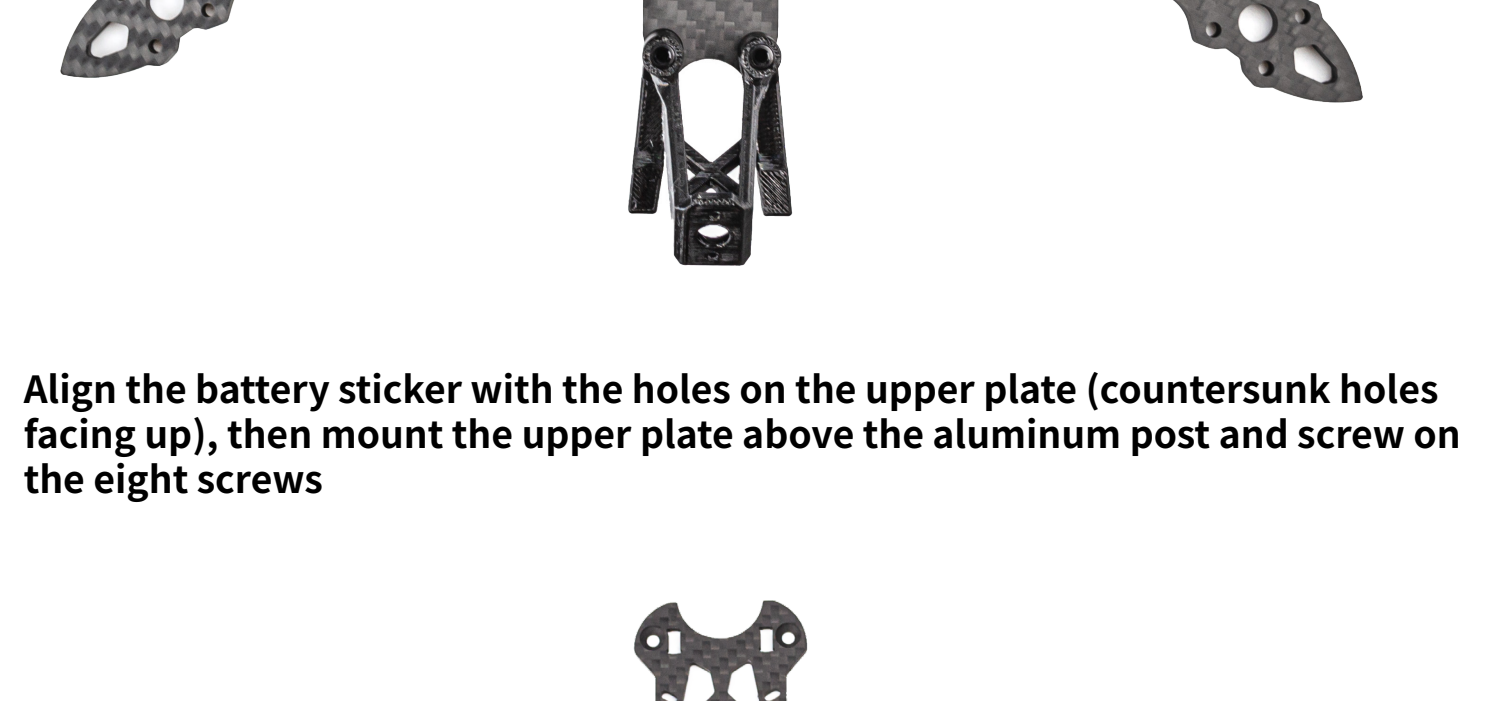
Screw on aluminum posts (eight in total) at the positions shown in the figure



Load the tail print



Attach the lens clamp



Align the battery sticker with the holes on the upper plate (countersunk holes facing up), then mount the upper plate above the aluminum post and screw on the eight screws

