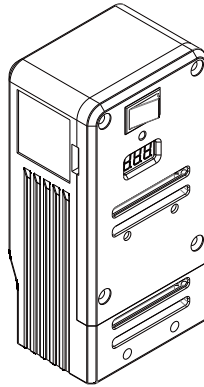
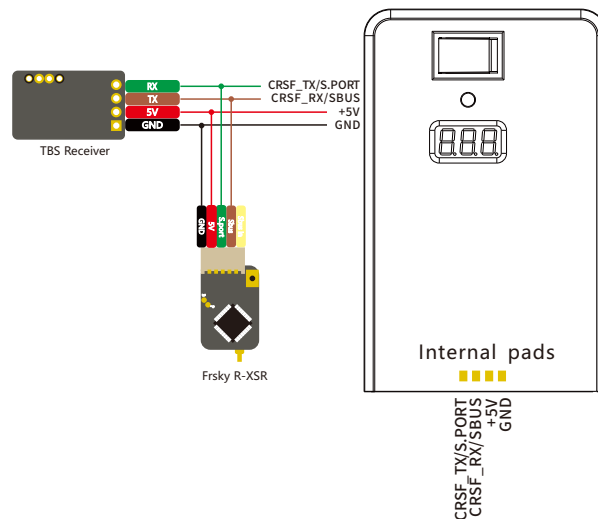


CRSF Repeater User Manual



Wiring Diagram:



Input:

Repeater can auto detect input protocol(SBUS or CRSF)

External Input: user can plug the Receiver with Dupont 2.54 connector

Internal Input: user can solder the receiver inside the case(need remove the case)

The external and internal port cant use in the same time.

Telemetry:

For now the repeater support INAV/YAPPU telemetry, user need install the LUA script on their radio (if radiosupport), then make sure rc link is working normal, go the telemetry page, select discovery new sensor, the telemetry will working.

Specification:

Voltage Input: 2~6S Lipo

TX Module Support/ Crossfire TX or ELRS TX module

Signal Input: SBUS/CRSF TX

Telemetry Output: SmartPort/ CRSF RX (for now the radio support INAV/Ardupilot Yappu Script telemetry repeater support firmware update to get more feature)