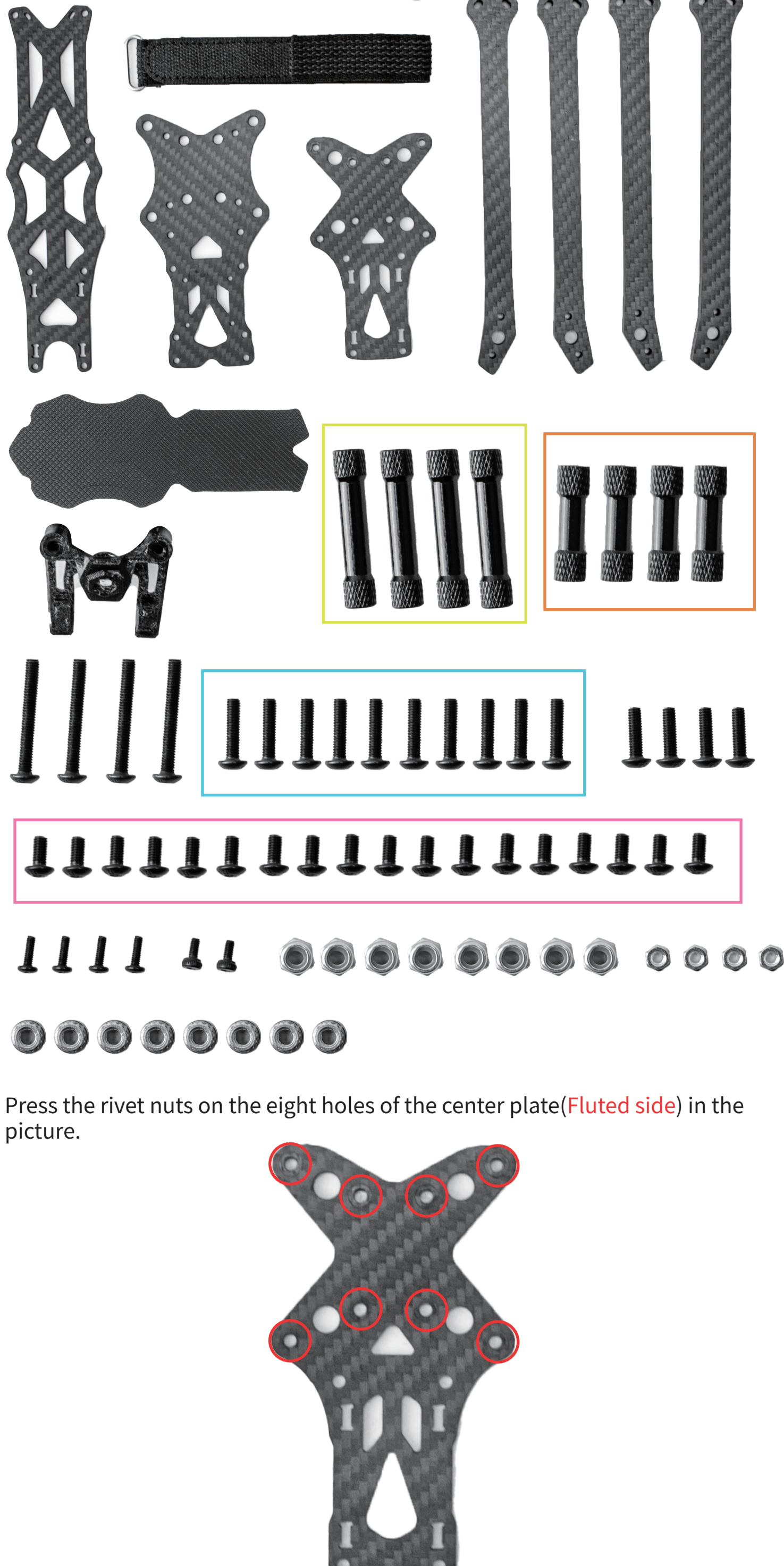


APEX 8 INSTALLATION MANUAL

PACKING LIST



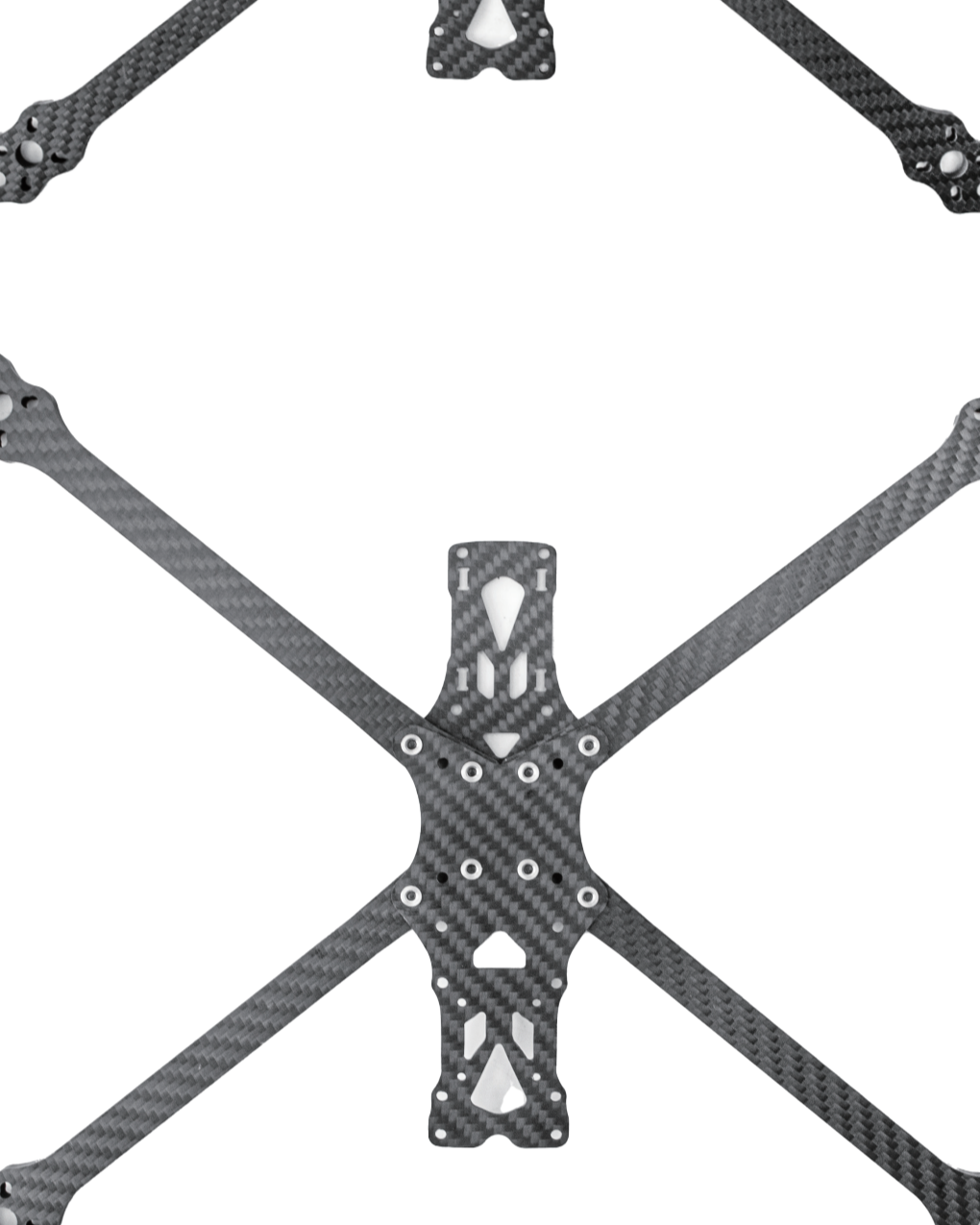
Press the rivet nuts on the eight holes of the center plate (Fluted side) in the picture.



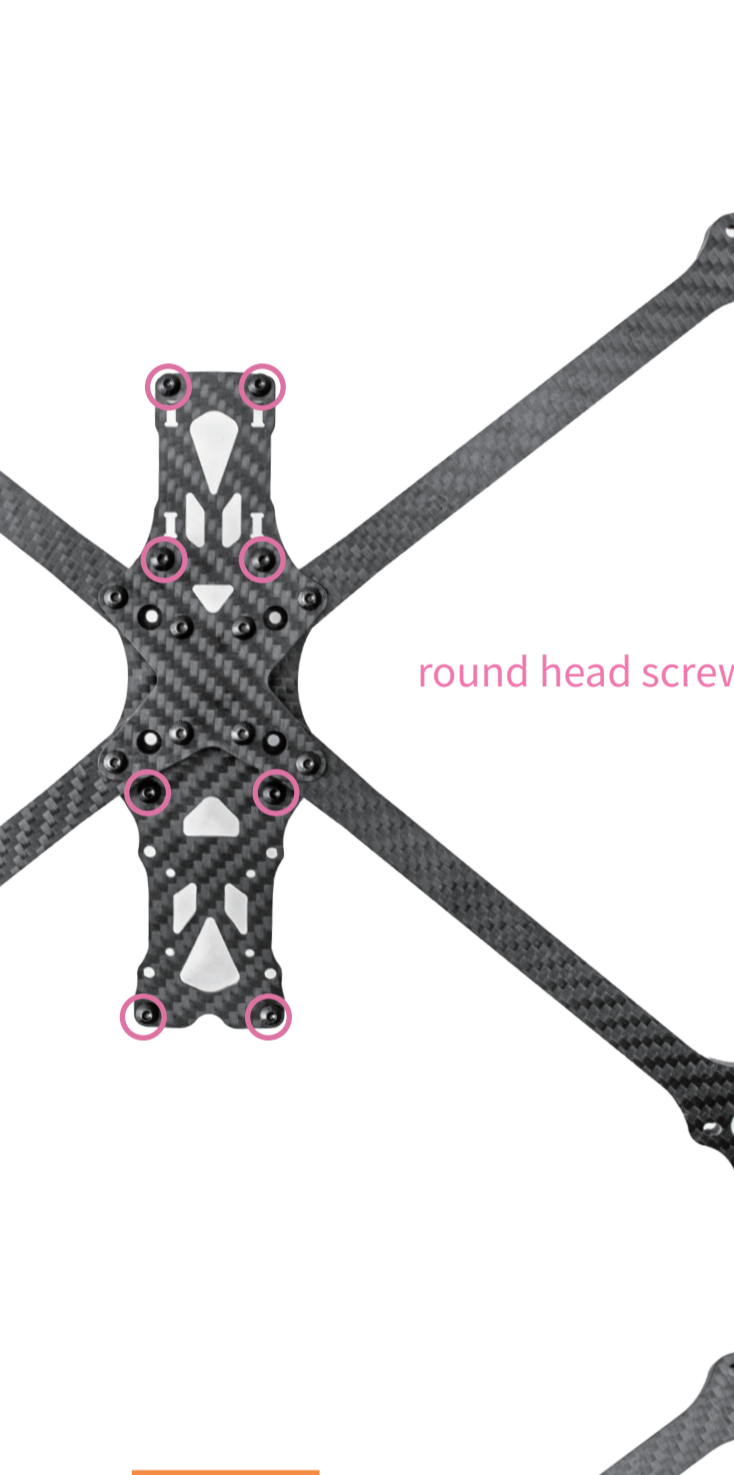
Sandwich the arm between the base plate and the center plate in the order shown in the diagram and drive screws in the eight holes marked on the base plate



round head screw M3*12mm*8

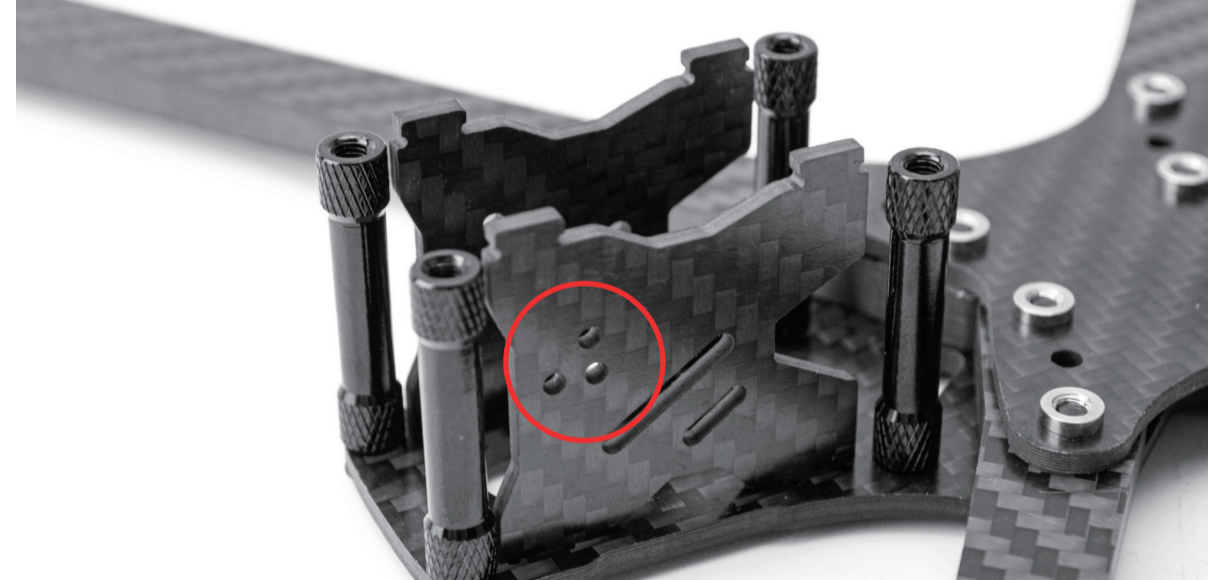
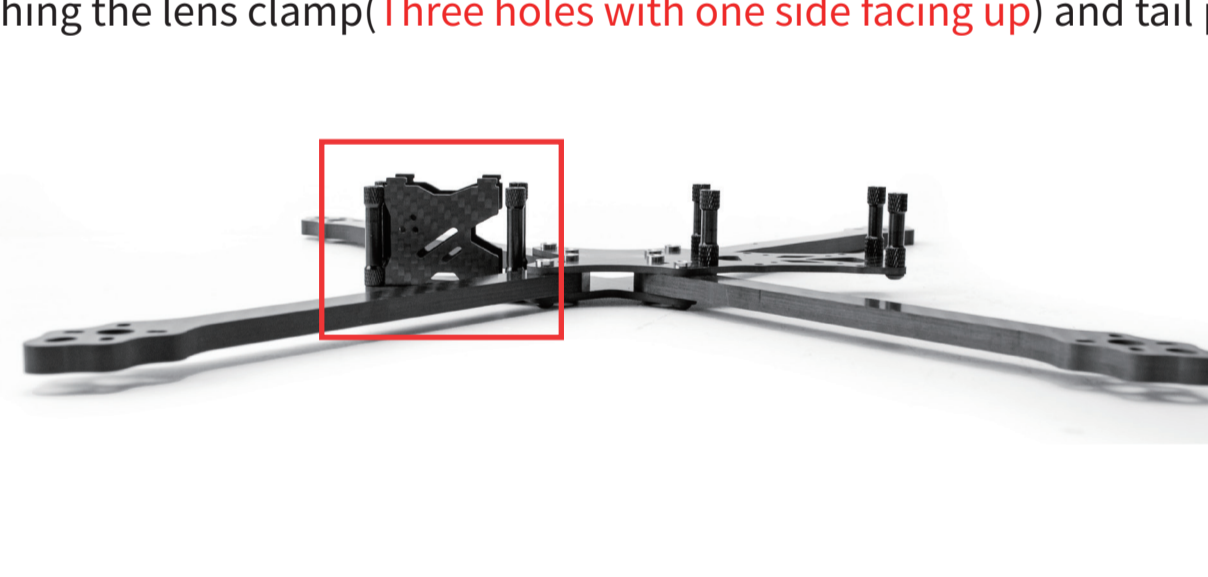
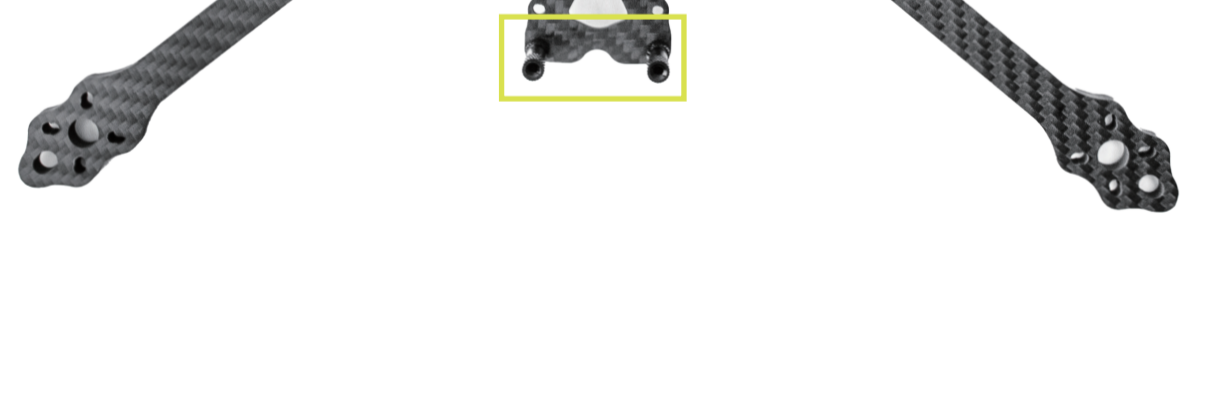


Screw in the eight holes marked in the diagram and screw in the aluminum posts on the backside

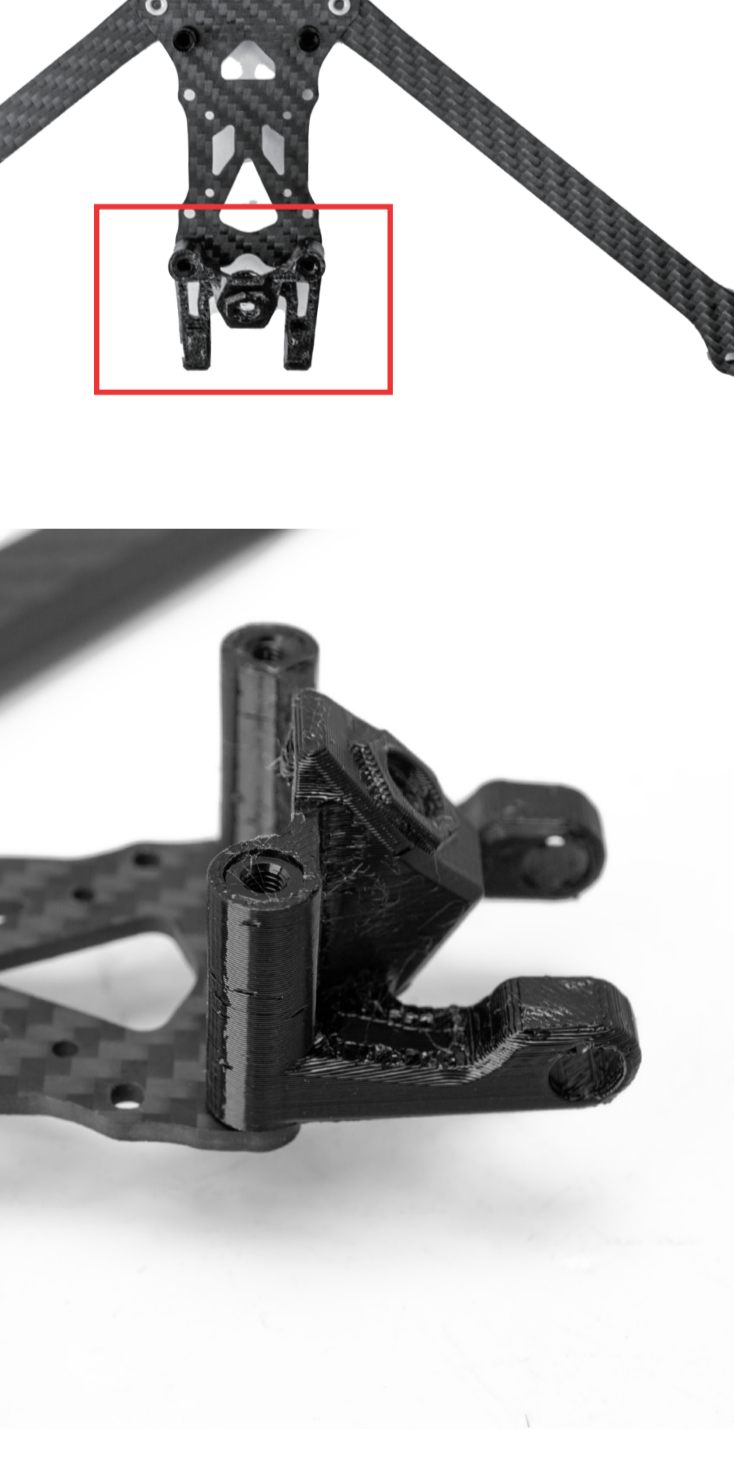


aluminum column M3*30mm*4
aluminum column M3*22mm*4

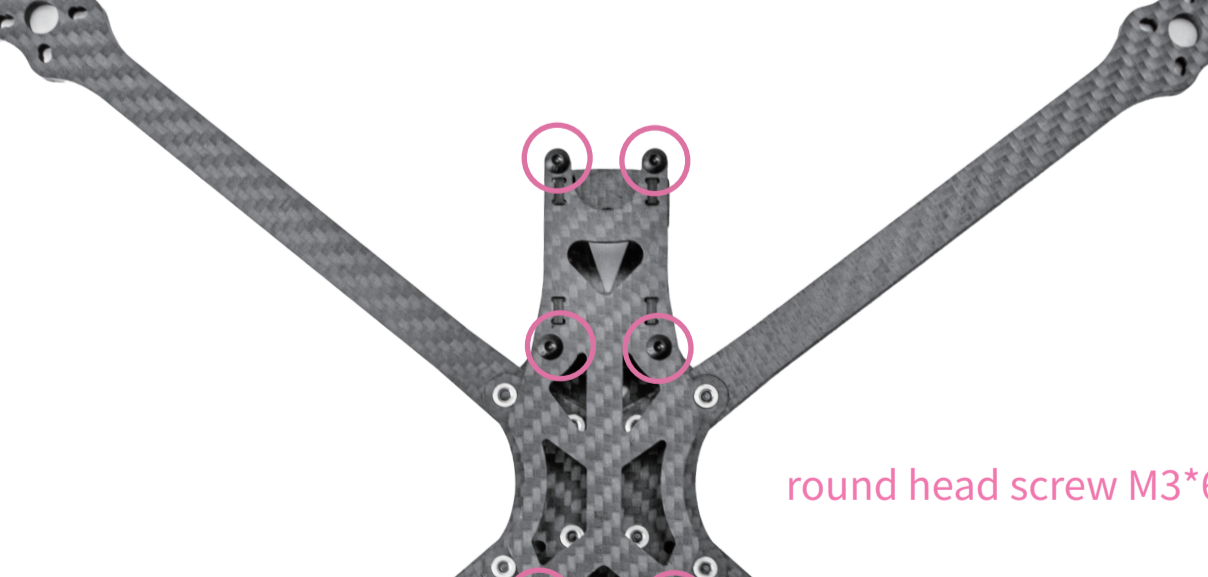
Attaching the lens clamp (Three holes with one side facing up) and tail prints



Cover the top plate and drive in eight screws



round head screw M3*6mm*8



Snap off the center portion of the battery pad and attach it to the top plate as shown in the illustration

